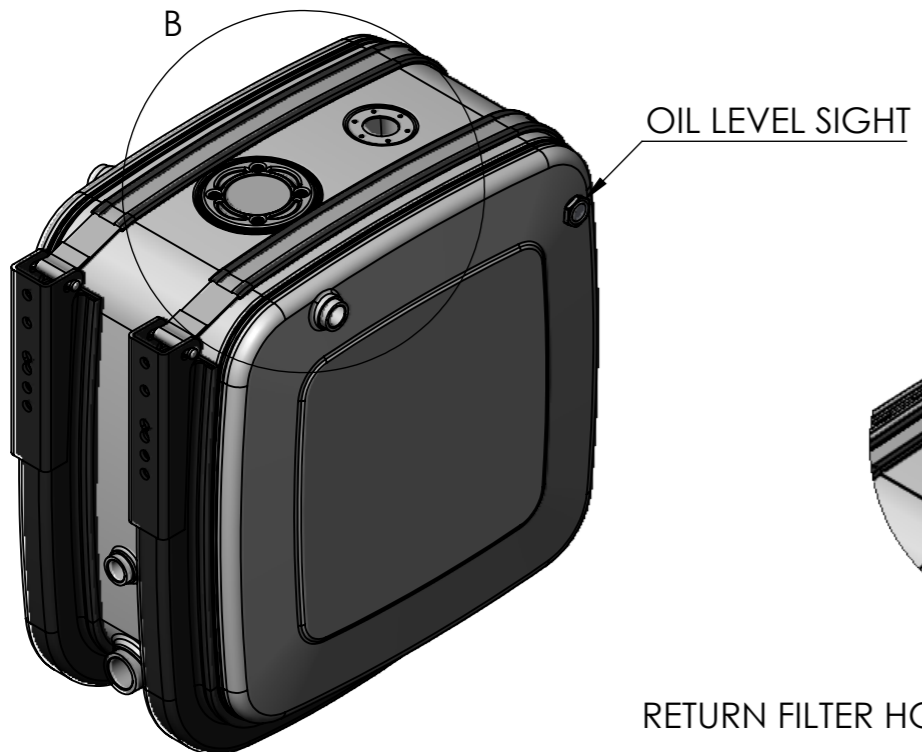
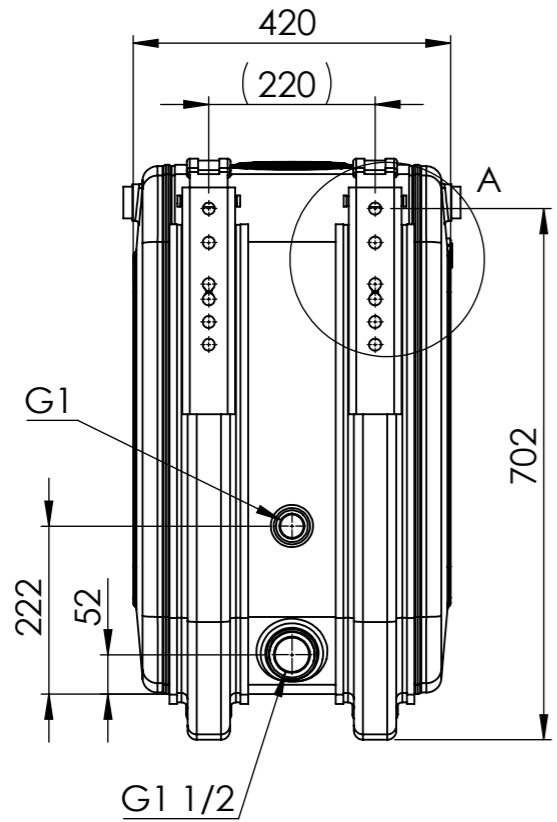
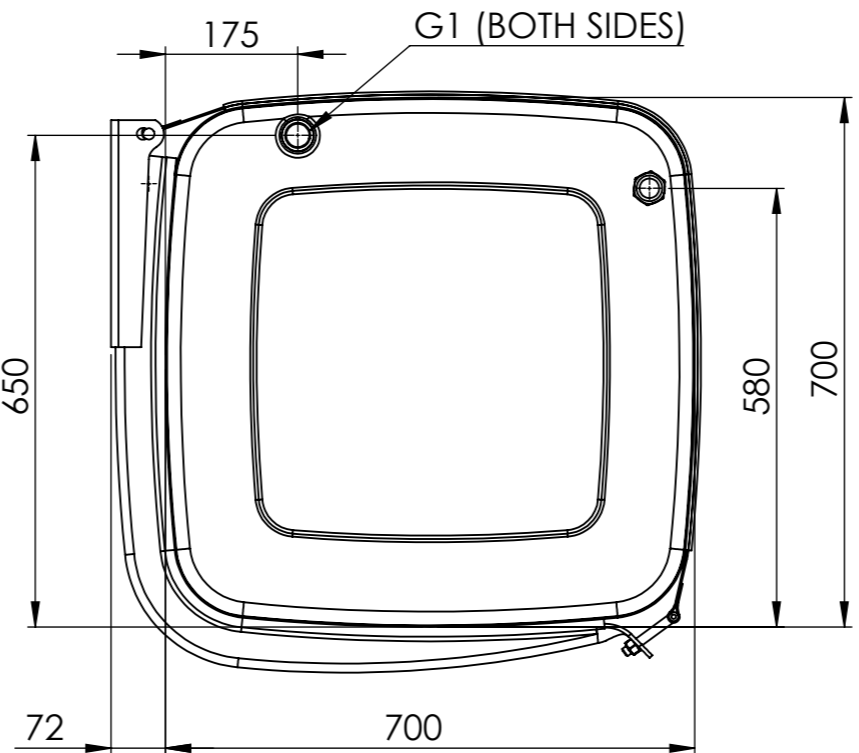


DETAIL A - HOLE SPACING
SCALE 1 : 5



Copyright © 2026 PCM Fluid Power Ltd. All rights reserved.

UNLESS OTHERWISE SPECIFIED: DIMENSIONS ARE IN MILLIMETERS SURFACE FINISH: TOLERANCES: LINEAR: ANGULAR:		MATERIAL:	DEBURR AND BREAK SHARP EDGES	DO NOT SCALE DRAWING	REVISION 1
NAME	SIGNATURE	DATE		TITLE: Aluminium Side Tank 180LT 420x700x700	
DRAWN MGRANT		20/06/26		Customer ID	
CHK'D				A3	
APPVD				SCALE:1:10	
			THE INFORMATION CONTAINED IN THIS DRAWING IS THE SOLE PROPERTY OF PCM LTD. ANY REPRODUCTION IN PART OR AS A WHOLE WITHOUT THE WRITTEN PERMISSION OF PCM LTD IS PROHIBITED.	SHEET 1 OF 1	
WEIGHT:					