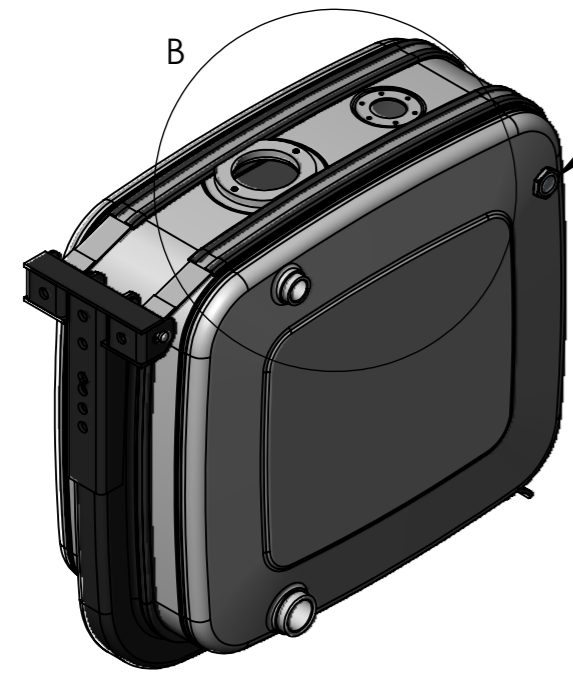
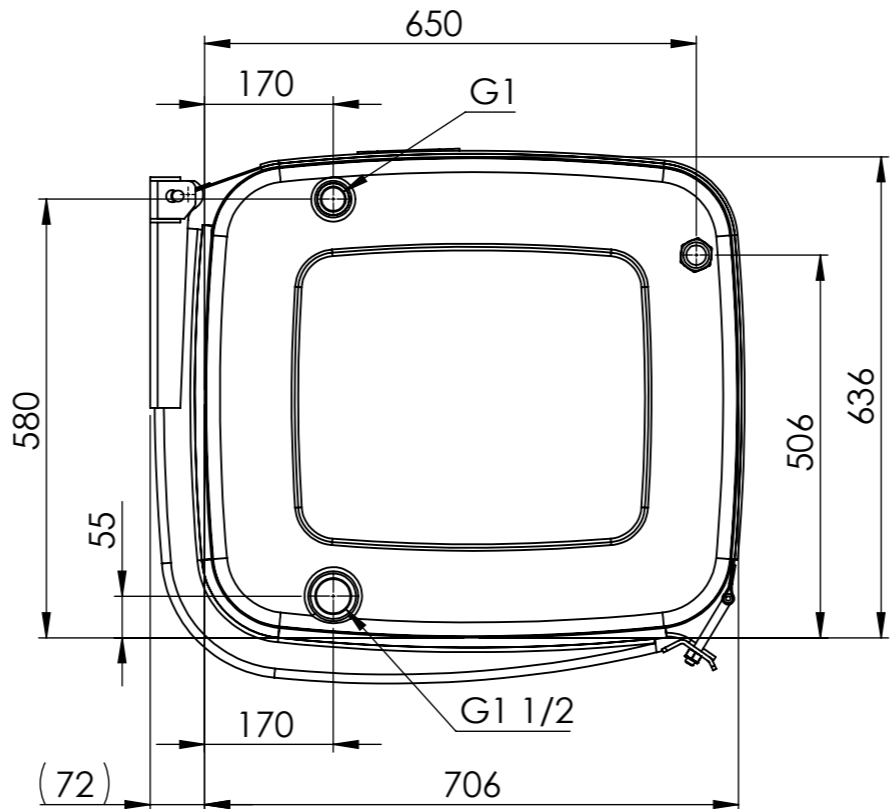
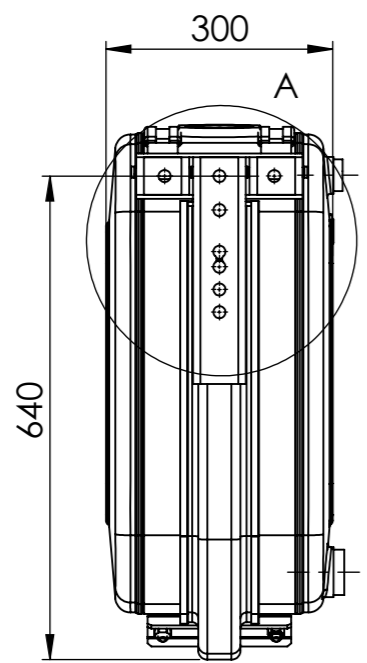
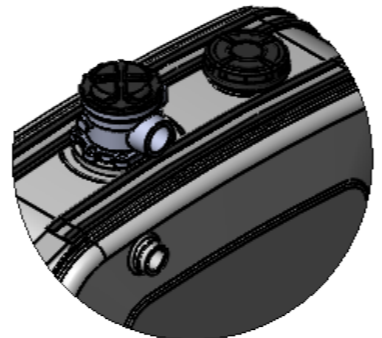


DETAIL A - HOLE SPACING  
SCALE 1 : 5



OIL LEVEL SIGHT



DETAIL B -  
RETURN FILTER HOUSING AND FILLER BREATHER

Copyright © 2023 PCM Fluid Power Ltd. All rights reserved.

UNLESS OTHERWISE SPECIFIED:  
DIMENSIONS ARE IN MILLIMETERS  
SURFACE FINISH:  
TOLERANCES:  
LINEAR:  
ANGULAR:

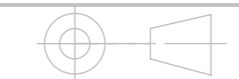
MATERIAL:

DEBURR AND  
BREAK SHARP  
EDGES

DO NOT SCALE DRAWING

REVISION 1

	NAME	SIGNATURE	DATE
DRAWN	MGRANT		15/07/23
CHK'D			
APPVD			



TITLE:  
**Aluminium Side Tank  
Slimline 100LT**



THE INFORMATION CONTAINED IN THIS  
DRAWING IS THE SOLE PROPERTY OF  
PCM LTD. ANY REPRODUCTION IN PART  
OR AS A WHOLE WITHOUT THE WRITTEN  
PERMISSION OF PCM LTD IS PROHIBITED.

WEIGHT:

Customer ID

A3

SCALE:1:10

SHEET 1 OF 1